

YOM Series

YOM is constructed by glass-fiber cloth and FRR(Fiber Reinforced Rubber) of fluorine rubber with keeping constant pore.

※Patent Apply

YAMAUCHI ORIGINAL MAT

Special Feature

Excellent thickness accuracy

Achieve high cushioning & high restore property

Excellent heat resistance

No smell or burning is developed under 230°C operation

Long terms of use

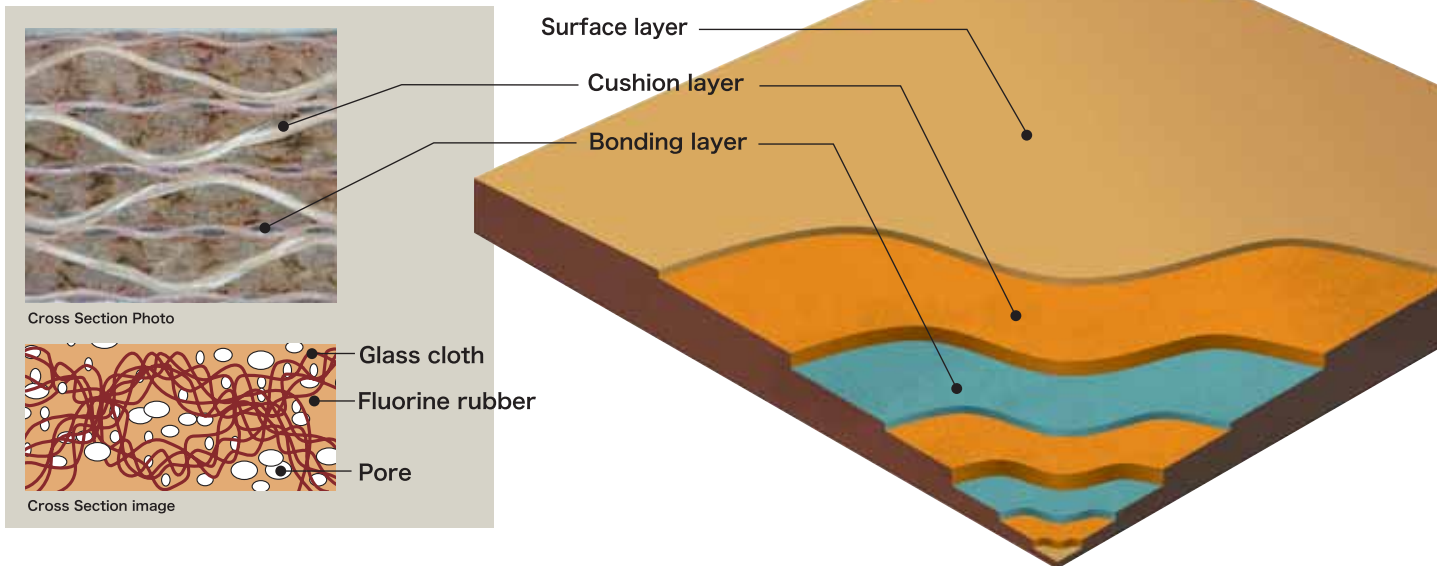
Hundreds cycle's repeat use may be achieved by low change of properties

Low contamination

Not develop any contaminations such as paper powder

Low pollution

Low moisture absorption , low out-gas property



**Transcend kraft paper as cushion pad ,
this is YOM.**

For further information, Please contact to



YAMAUCHI CORP.
<http://www.yamauchi.co.jp/>

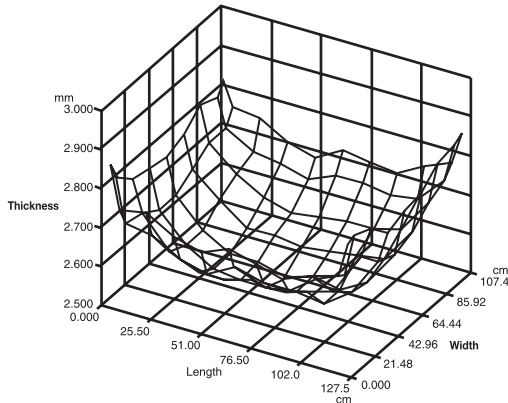
YOM Series

YOM is constructed by glass-fiber cloth and FRR(Fiber Reinforced Rubber) of fluorine rubber with keeping constant pore.
 ※Patent Apply

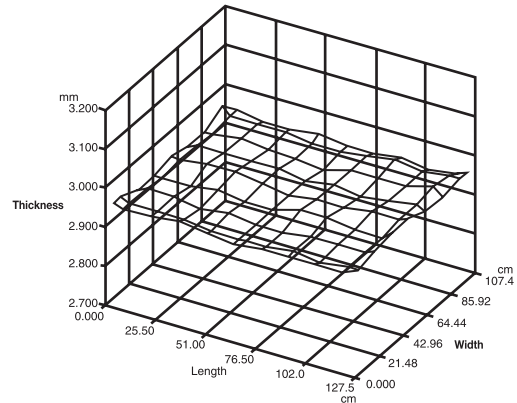
YAMAUCHI ORIGINAL MAT

Material Properties

▶ Very low change of properties.



(Kraft) pressured thickness after one cycle

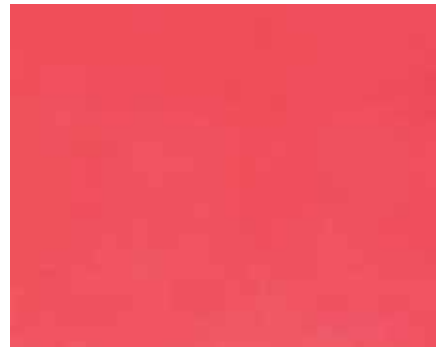


(YOM) pressured thickness after 200 cycle press

▶ Reduce uneven pressure



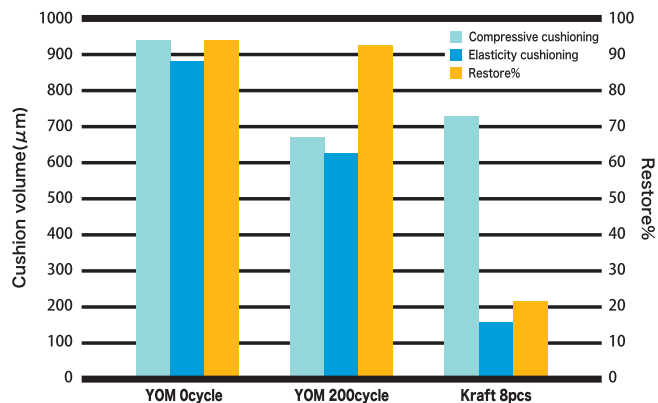
(Kraft) pressure distribution



(YOM) pressure distribution

▶ High cushioning & restore properties

	Compressive cushioning	Elasticity cushioning	Restore%
YOM 0cycle	939	882	94
YOM 200cycle	673	624	93
Kraft 8pcs	728	153	21



For further information, Please contact to



YAMAUCHI CORP.
<http://www.yamauchi.co.jp/>